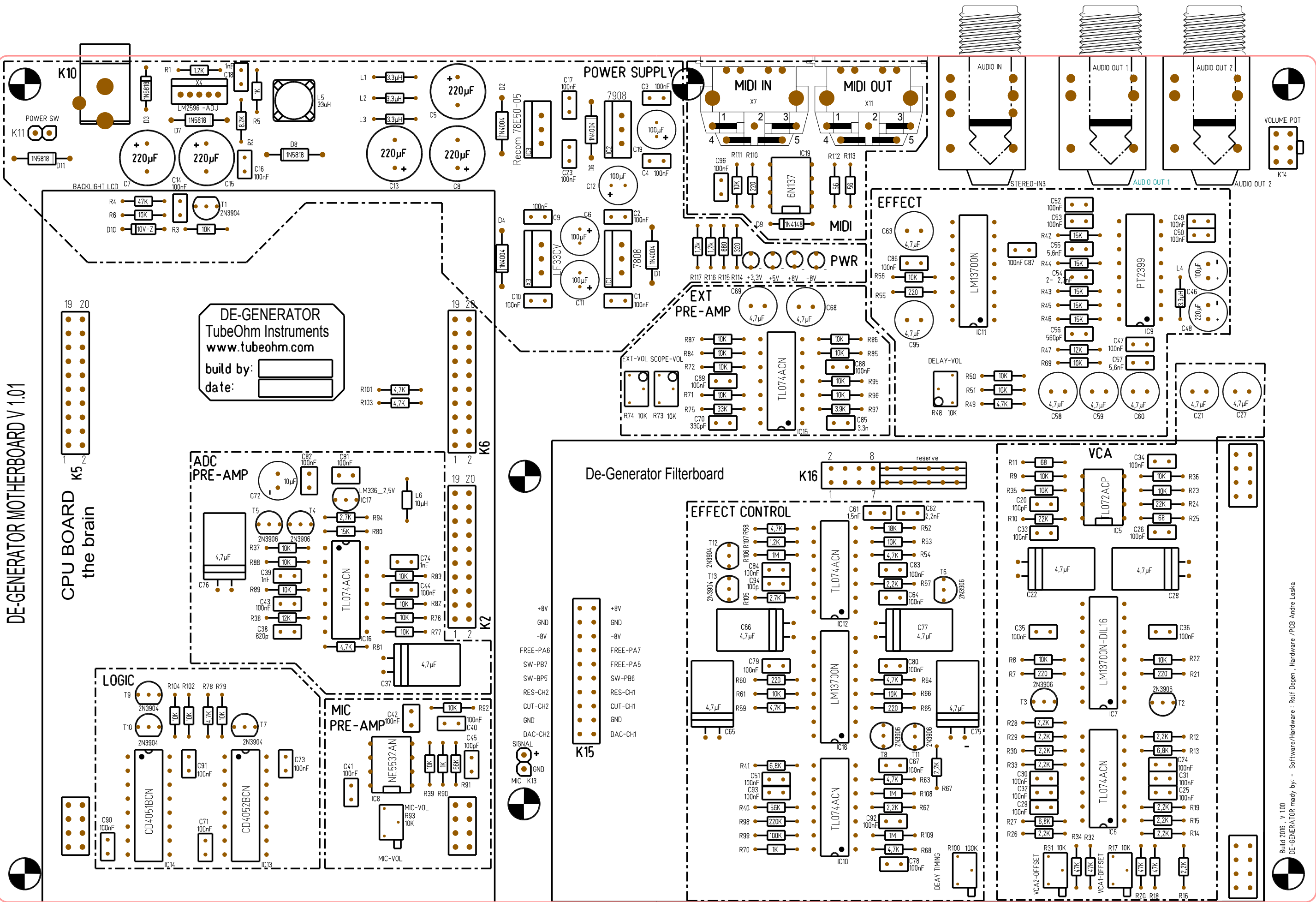


DE-GENERATOR MOTHERBOARD V 1.01



DE-GENERATOR  
TubeOhm Instruments  
www.tubeohm.com  
build by:   
date:

CPU BOARD  
the brain

De-Generator Filterboard

EFFECT CONTROL

VCA

- +8V
- GND
- 8V
- FREE-PA6
- SW-PB7
- FREE-PA5
- SW-PB6
- RES-CH2
- CUT-CH2
- GND
- DAC-CH2
- SIGNAL
- GND
- MIC K13