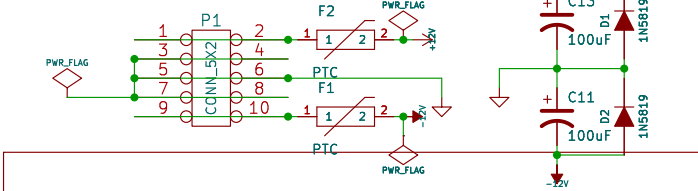


File: IO.sch

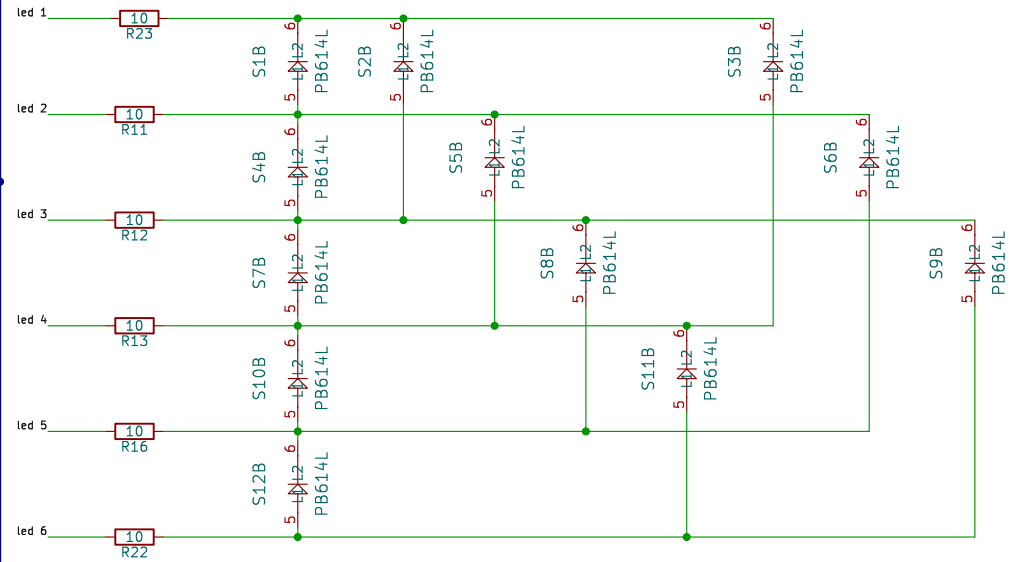


Sonic Potions	
Sheet: /	
File: Quantizer.sch	
Title: Penrose Quantizer	
Size: A4	Date: 21 feb 2015
KiCad E.D.A. eschema 7.0.9	Rev: 0.4
	Id: 1/2

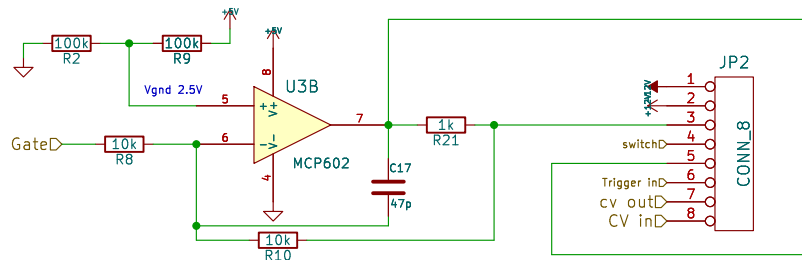
Board Connectors



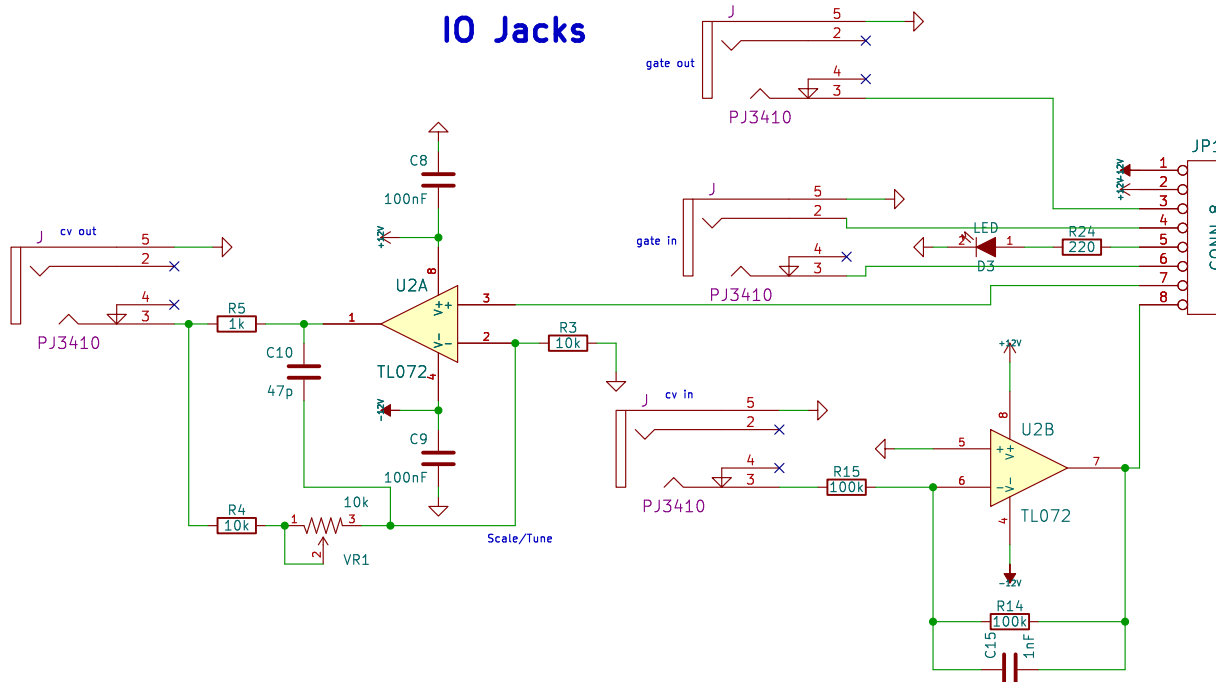
LED Charlieplexing



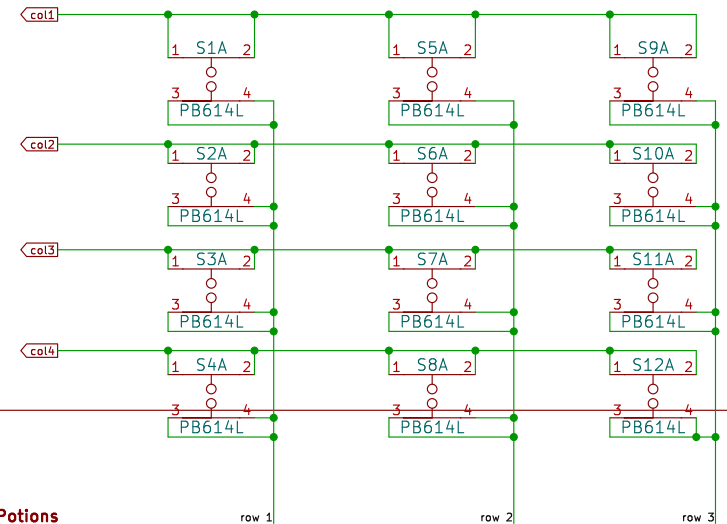
Gate Out Buffer



IO Jacks



Button Multiplexing



Sonic Potions

Sheet: /IO_Board/
File: IO.sch

Title: Penrose Quantizer

Size: A4 Date: 21 feb 2015

KiCad E.D.A. eeschema 7.0.9

Rev: 0.4

Id: 2/2